

S3000

Automatic Sealing Machine



SIMPLICITY

HIGH PERFORMANCE

FLEXIBILITY

S 3000



SIMPLICITY

FAST AND SIMPLE CHANGEOVER

The S 3000 comes with a new "partial tooling" equipment system - this brand new concept simplifies format changes and also reduces tooling costs.

SIGNIFICANT TIME SAVINGS

- It is no longer necessary to wait for the sealing plates to cool
- The various sections are dismantled by a quarter turn captive screw arrangement
- No more lost production time due to lengthy format changeovers

ERGONOMICS: SIMPLE TO USE AND EFFORT-FREE

- Easy access to all areas of the equipment
- No more struggling with large and heavy equipment - all the sections are lightweight and easy to handle
- Safe and effort-free operation thanks to a revolutionary tool removal system

COLOR TOUCH SCREEN¹ 20 PROGRAMMES

- An operating console accessible from both sides of the loading area due to its installation on an articulated arm
- 20 user-definable programmes, which allow various types of packaging to be sealed as required
- All the parameters are featured on the screen: temperature adjustment; vacuum levels and gas injection, product orientation, feeding speed...
- Automatic alarm for all incident types (temperature, low vacuum, gas shortage...) with on-screen details, analysis and trouble-shooting

PERFORMANCE

STRENGTH

- FULLY stainless steel chassis
- FULLY stainless steel infeed line
- FULLY stainless steel housing
- Optional automatic chain lubrication
- Optional anodised equipment

SAFETY

- Full compliance with EU regulations
- Gas strut assisted lifting of sealing head upper part

HYGIENE

- Completely washable
- Optimum drainage connection of cleaning water
- Free-draining chassis design

COMPATIBILITY

- High speed equipment fully compatible with the S range of tray sealing machines
- In order to guarantee the compatibility of this machine with previous generation equipment, the necessary optional parts are also available in widths of 430 or 470 mm. Consequently, this machine is also capable of handling previous generation formats

SPEED AND PRECISION

Integrated brushless motor:

- Enhanced precision guaranteed
- Faster line feed
- Up to 16 cycles per minute
- Speed and transport characteristics can be adjusted for liquid products



1 - Touch screen

HIGH SPEED PACKAGING MACHINES,
DESIGNED FOR ASSEMBLY LINES.

THE ANSWER TO ALL YOUR SET UP PROBLEMS.

OUR KNOW-HOW

The S 3000 adapts to all processes: standard, shrink film, aluminium film, aluminium trays, cardboard trays, pre-cut, Inside Cut, MecaSkin, MecaSkin T, VisioPac®, Slice Pak®, Mirabella®...

MODULARITY

THE FULL RANGE OF CONFIGURATIONS FOR ALL PRODUCTION METHODS

The S 3000 has been designed for assembly line production. It is suitable for use with all types of accessories.

- Tray dispensers/denesters **A**
- Automatic feeders
- Longer loading areas incorporating extension modules **B**
- All types of dosing units
- Vibrating conveyors
- Pad placers
- Oxygen absorber application
- Manual or automatic tray vent valve options
- Selection of marking/coding systems
- Labelling, pre-made lid sealing
- 750, 1500 or 2000 mm motorised exit conveyor belts **C**
- 2 to 1, 3 to 1, 4 to 1, 6 to 1 converging systems
- Accumulation turntables (Ø 1000 or 1200 mm)
- Etc.

ACCESSORIES

- An electric hoist to change the film reels and to transport bulky equipment for specific applications (VisioPac®, Slice Pak®, Meca Skin, Alu)
- A storage trolley for complete tooling sets and parts
- A pre-heating station



PERSONALISED SOLUTIONS

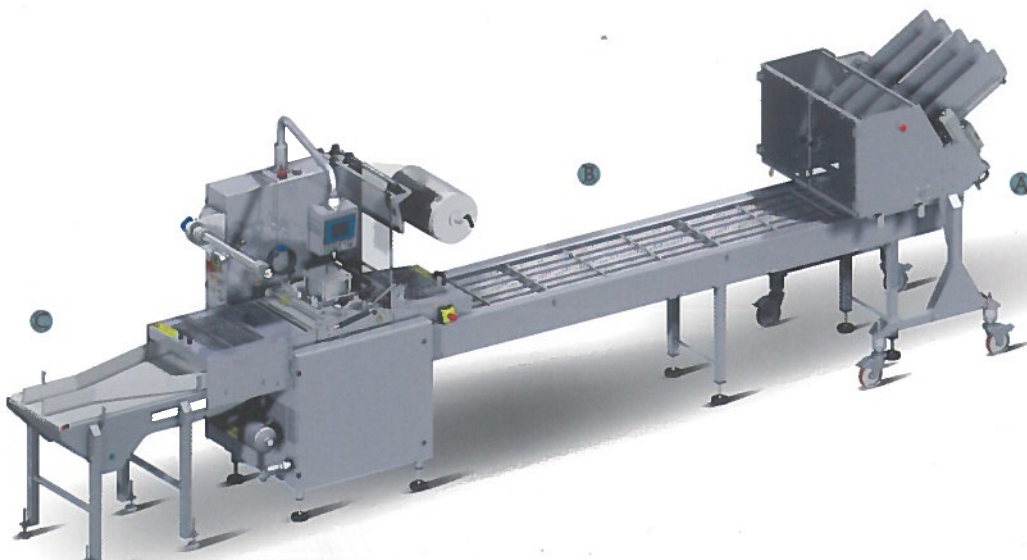
We offer you the best possible solution for your needs, in accordance with the production specifications:

- Liquid separation units, vacuum tanks for fragile products requiring a relative vacuum
- Head cooling system integrated into the chassis
- The Meca Trans® transfer system also allows for the handling of all types of liquid products
- Photocells for printed film registration

OTHER VERSIONS OF THE S 3000

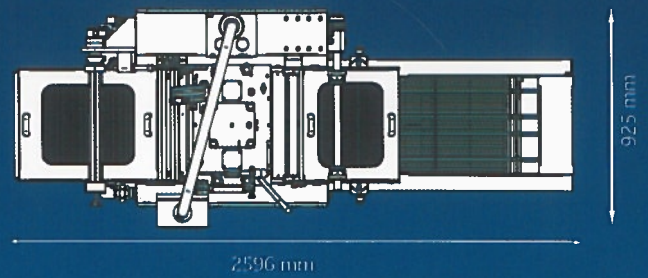
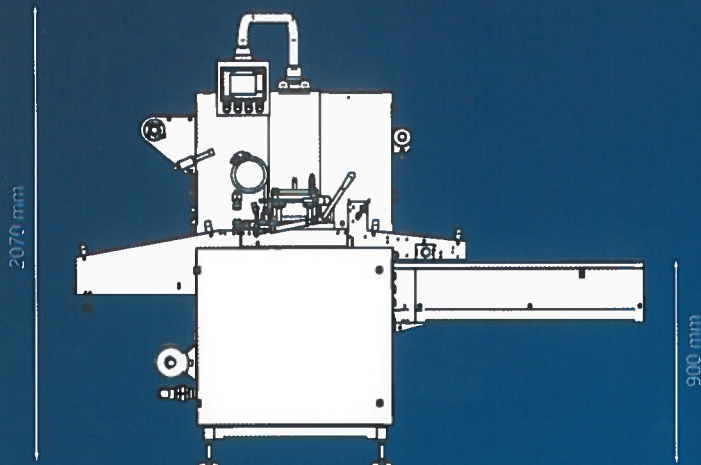
S 3000 MS : Automatic sealing machine with two independent film unwinds allowing for the packaging of two different formats without having to change the tooling (either product may be packaged separately, or both products simultaneously).

S 3000 MNS : This machine can pack two different formats consecutively without having to change the tooling.



TECHNICAL SPECIFICATIONS

MEASUREMENTS



MACHINE LENGTHS

| | |
|----------------------------|---------|
| Short version | 2596 mm |
| Extension module* | 1146 mm |
| Dispenser extension module | 300 mm |

* Available with up to 9 extension modules for the loading area.

Option of the short version on wheels.

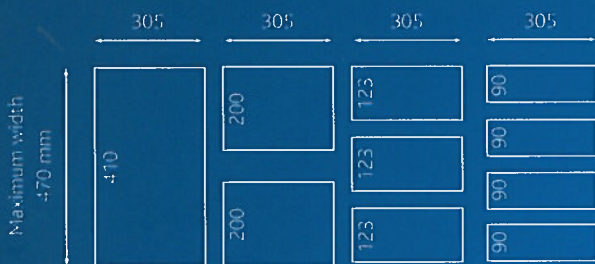
APPLICATIONS:

Any kind of food products - solid, liquid or paste: salad and catering, fruits and vegetables, snacks and sandwiches, delicatessen, ready cooked dishes, meat, pork butchery, fish products, dairy products, fresh pastry products...

TRAY FORMATS

The full range of thermoformed or injected plastic trays: PP, CPET, APET, PVC, PS, PLA, PSE trays...

2 versions: 100 and 150 mm die depths. All format* types; see outline below:



* Depending on the application and materials used.

SPEED

| | S 3000 | S 3000 MS | S 3000 MNS |
|------------------------------|------------|-----------|------------|
| Number of cycles per minute* | 12,5 to 16 | 11 | 12 |
| Number of trays per cycle* | 1 to 3 | 2+1 | 2+1 |

* Depending on the application and materials used.

FILM*

| | S 3000 |
|----------------------|--------|
| Max. film width (mm) | 470 |
| ø film reel (mm) | 300 |
| ø mandrel (mm) | 76 |

* Suitable for all plastic compounds, including shrink film and aluminum film.

POWER

| | S 3000 |
|--|--------|
| Electricity consumption (KVA) | 4 |
| Water consumption (l/h) | 50 |
| Compressed air consumption (m ³ /h) | 6-7 |

CONTACT



FRANCE - EXPORT

Z.I. de Montifaut - 85700 Pouzauges
Tél. +33 2 51 57 07 94 - Fax. +33 2 51 57 07 95

UNITED KINGDOM

Unit 5, Kingfisher Way - Herndale Business Park - NUNEATON CV11 6GY
Ph. +44 2476 351 300 - Fax. +44 2476 349 250

ESPAÑA

Ctra. Sant Miquel s/n - Banyeres del Penedes (Tarragona) - 43711 El Vendrell
Tel. +34 977 698 019 - Fax. +34 977 698 024

www.mecaplastic.com